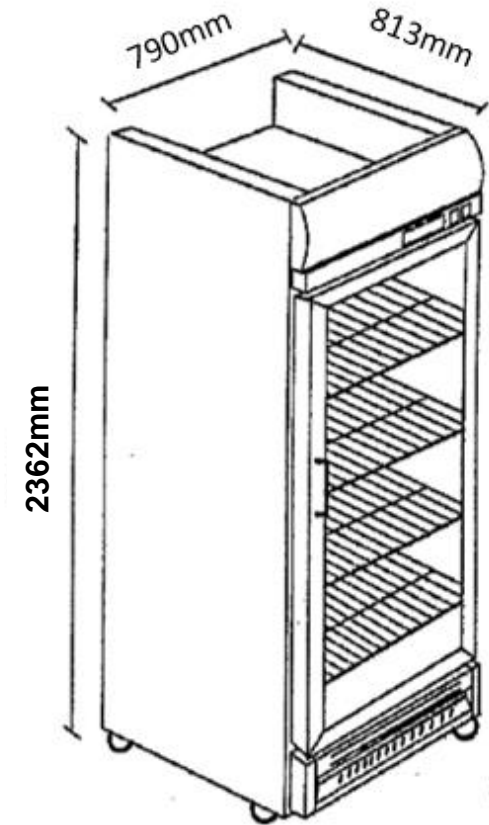
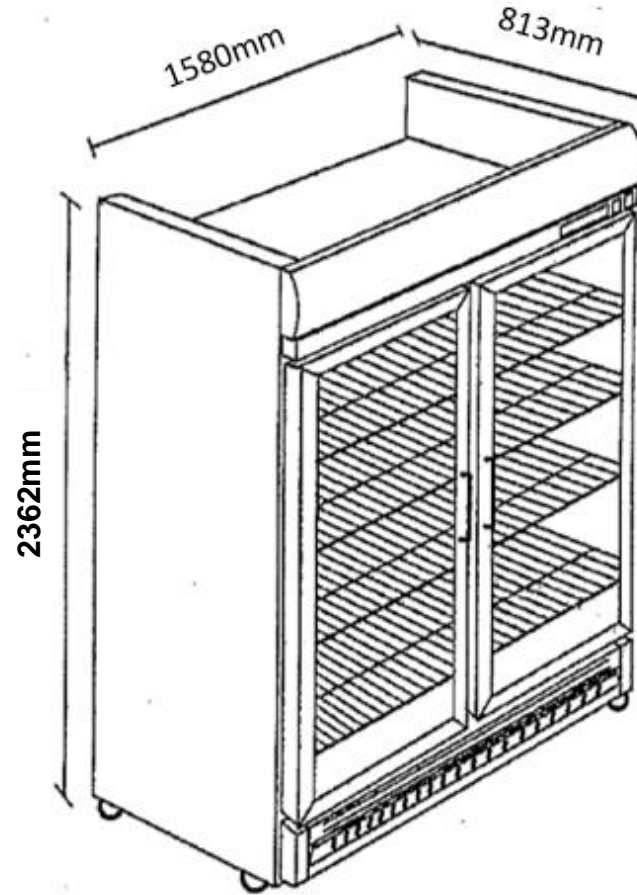
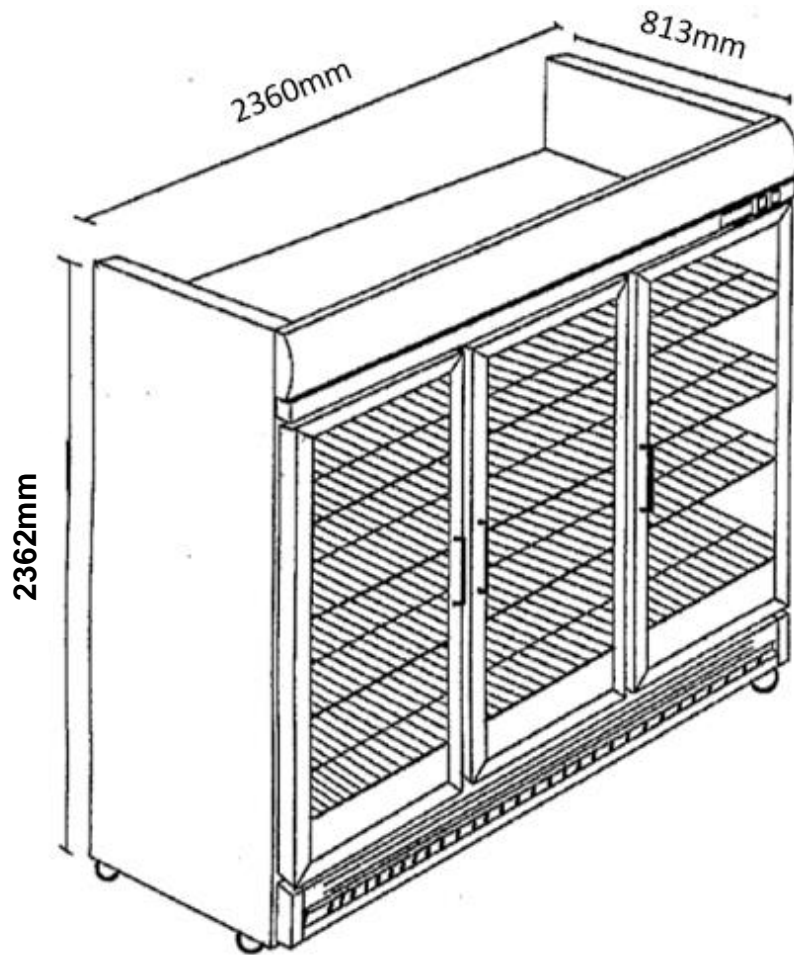




— Cooling Simplified —

## Extra Large – Display Series

**XL Size – Double Tempered Heated Glass Door**  
**Dimension : 762mm x 1702mm (30"x 67")**

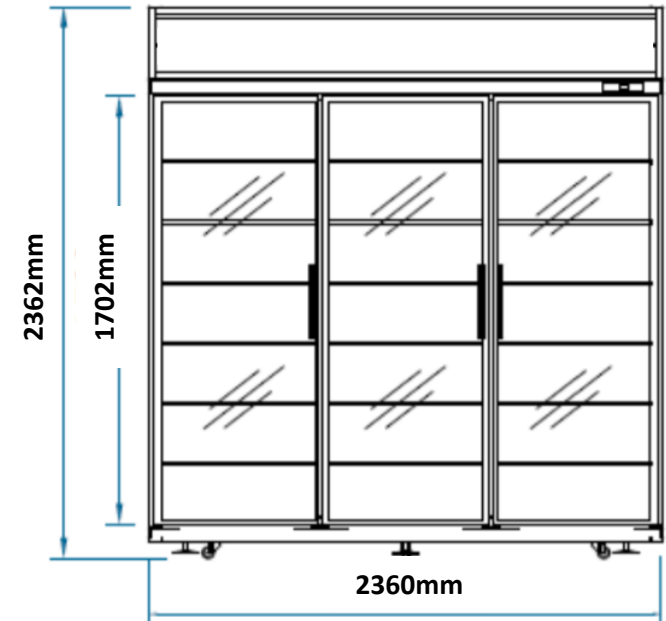
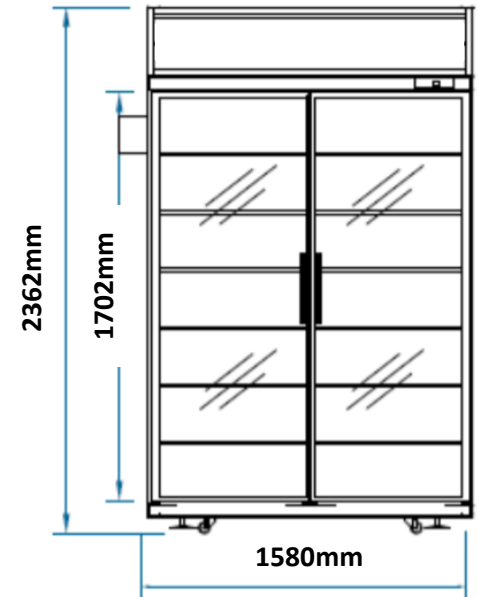




# XL - Series

## New-Gen Commercial Display Heated Glass Door Chiller

CHILLER	1 Door	2 Doors	3 Doors
Model	PRM-XL-C1	PRM-XL-C2	PRM-XL-C3
External Dimension (mm)	790 x 813 x 2362	1580 x 813 x 2362	2360 x 813 x 2362
Functioning Unit	1/2 HP Embraco Compressor (FFI 160) run on R134a gas c/w 1/2 HP Condenser	1/2 HP Embraco Compressor (NEU 6214) run on R134a gas c/w 5/8 HP Condenser	3/4 HP Embraco Compressor (NEU 2178) run on R404a gas c/w 1 HP Condenser
Epoxy Coated Shelf	6 pieces (Standard)	12 pieces (Standard)	18 pieces (Standard)
Defrost System	Auto Electric Defrost		
Temperature Control	Digital Control		
Temperature°(Celsius)	0°C to 8°C		





# XL - Series

## New-Gen Commercial Display Heated Glass Door Freezer

<b>FREEZER</b>	<b>1 Door</b>	<b>2 Doors</b>	<b>3 Doors</b>
Model	PRM-XL-F1	PRM-XL-F2	PRM-XL-F3
External Dimension (mm)	790 x 813 x 2362	1580 x 813 x 2362	2360 x 813 x 2362
Functioning Unit	3/4 HP Copeland Compressor (KCN 430) run on R404a gas c/w 1 HP Condenser	1.25 HP Copeland Compressor (KCJ 450) run on R404a gas c/w 1.5 HP Condenser	1-2/3 HP Copeland Compressor (KCM 475) run on R404a gas c/w 2 HP Condenser
Epoxy Coated Shelf	6 pieces (Standard)	12 pieces (Standard)	18 pieces (Standard)
Defrost System	Auto Electric Defrost		
Temperature Control	Digital Control		
Temperature°(Celsius)	-18°C and above		

